



Make & Model	Year	Part No.	Description	Page No.
Ford				
Falcon FG, 6 cyl	5/11>	AL2036	Liquid Line / Suction Pipe Assembly	608
Falcon FG, 4 cyl Turbo	3/12>	AL2041	Liquid Line / Suction Pipe Assembly	608
Falcon FG, 4 cyl Turbo	3/12>	HO0551	Discharge Hose	608
Falcon BA, 6 & 8 cyl	9/02-9/05	AL6400	Liquid Line	608
Falcon BA, 6 & 8 cyl	9/02-9/05	AL6401	Liquid Line	608
Falcon BA, 6 cyl	9/02-9/05	HO0144	Discharge Hose	608
Falcon BA, 6 cyl	9/02-9/05	HO0146	Suction Hose	609
Falcon BA, V8	9/02-9/05	HO0145	Discharge Hose	609
Falcon AU, 6 cyl	9/98-9/02	HO0155	Suction / Discharge Hose Assembly	609
Falcon EF, 6 cyl	94-96	HO0133	Suction / Discharge Hose Assembly	609
Falcon EB, 6 cyl	91-93	HO0201	Liquid Line	609
Falcon EB, 6 cyl	91-93	HO0110	Suction Hose (R134a)	609
Falcon EA, 6 cyl MPI	88-91	HO6451	Discharge Hose	609
Falcon XF	84-2/88	HO0125	Discharge Hose	609
Falcon XD, XE, V8	79-82	HO0119	Discharge Hose	609
Festiva WB	94-96	AL2015	Liquid Line	609
Laser KN, 4 Door	99-02	AL5390	Liquid Line	610
Territory SZ, Diesel	5/11>	AL2038	Liquid Line / Suction Pipe Assembly	610
Territory SZ, 6 cyl	5/11>	AL2043	Liquid Line / Suction Pipe Assembly	610
FPV GT, GTS (Miami), 5.0Lt V8	11/11>	AL2037	Suction / Discharge Hose Assembly	608
FPV GT, GTS (Miami), 5.0Lt V8	11/11>	HO0553	Suction Hose	608
FPV GT, GTS (Miami), 5.0Lt V8	11/11>	HO0554	Discharge Hose	608
Holden				
Apollo JK, JL	8/89-3/93	HO0116	Discharge Hose	610
Commodore VE	8/06>	AL5545	Suction Pipe	610
Commodore VE, V6	8/06-8/09	HO2037	Suction / Discharge Hose Assembly	610
Commodore VE, V6	8/06>	HO5546	Liquid Line	610
Commodore VE, V8	8/06>	HO2038	Suction / Discharge Hose Assembly	610
Commodore VZ, V6	04-07	AL6320	Liquid Line	610
Commodore VZ, V6	04-07	HO4652	Suction / Discharge Hose Assembly	611
Commodore VZ, V8	04-07	HO4651	Suction / Discharge Hose Assembly	611
Commodore VY, V6	02-04	HO8260	Suction / Discharge Hose Assembly	611
Commodore VY, V8 5.7Lt GEN III	02-04	HO8262	Suction / Discharge Hose Assembly	611
Commodore VY, V8 5.7Lt GEN III	02-04	HO8263	Suction / Discharge Hose Assembly	611
Commodore VY, V8 5.7Lt GEN III	02-04	HO8264	Suction / Discharge Hose Assembly	611
Commodore VY	02-04	AL6318	Liquid Line	611
Commodore VT & VX, V8 5.7Lt GEN III	9/97-9/02	HO8261	Suction / Discharge Hose Assembly	611
Commodore VT, VX	9/97-9/02	AL6319	Liquid Line	611
Commodore VT, VX, V6	9/97-9/02	HO8253A	Suction / Discharge Hose Assembly (w/out Transducer)	611
Commodore VT, VX, V6	9/97-9/02	HO8253	Suction / Discharge Hose Assembly (with Transducer)	612
Commodore VT, V8	9/97-8/00	HO8254	Suction / Discharge Hose Assembly	612

Make & Model	Year	Part No.	Description	Page No.
Commodore VR, VS, 6 & 8 cyl	7/93-8/97	AL6315	Liquid Line (set x 2, replaces OE 1 piece pipe)	612
Commodore VR, VS, V6	7/93-8/97	HO8251	Discharge Hose	612
Commodore VR, VS, V8	7/93-8/97	HO8256	Discharge Hose	612
Commodore VN, VP, VG Ute, V6	8/88-6/93	HO0437	Suction Hose	612
Commodore VN, VP, VG Ute, V6	8/88-6/93	HO0868	Discharge Hose	612
Commodore VL, 6 cyl	1/86-7/88	HO4680	Suction Hose	612
Commodore VL, 6 cyl	1/86-7/88	HO4681	Discharge Hose	612
Commodore VK, 6 cyl	84-86	HO4563	Suction Hose	612
Commodore VK, 6 cyl	84-86	HO4565	Discharge Hose	613
Monaro CV6, CV8	12/01-9/04	AL6318	Liquid Line	611
Monaro CV6, CV8	12/01-9/04	AL6319	Liquid Line	611
Rodeo TF, Turbo Diesel	90>	HO8036	Discharge Hose	613
Statesman WK, 6 & 8 cyl	5/03-7/04	AL6318	Liquid Line	611
Statesman WH, 6 & 8 cyl	6/99-4/03	AL6319	Liquid Line	611
Statesman VQ, V6	11/91-2/94	HO0437	Suction hose	612
Statesman VQ, V6	11/91-2/94	HO0868	Discharge Hose	612
Hyundai				
Excel X3	95-96	AL2004	Liquid Line	613
Excel X3	94-95	HO0175	Discharge Hose (2 piece)	613
Excel X3	94-95	HO0175A	Discharge Hose (1 piece)	613
Lantra		AL5088	Liquid Line	613
Sonata		HO0142	Discharge Hose	613
Mazda				
121	00-04	AL0477	Liquid Line	613
121 Metro, DW2	<96	AL0937	Liquid Line	614
323 BJ, 1.6Lt	9/98>	AL5390	Liquid Line	614
BT50		HO0477	Discharge Hose	614
MX-5, Turbo	3/04-8/05	AL1032	Liquid Line	614
MX-5, with ABS		AL0860	Liquid Line	614
T Series, WH		HO0485	Discharge Hose	614
Mercedes Benz				
M Class		AL2030	Liquid Line	614
Mitsubishi				
Magna TE, TF, TH, TJ	4/96-7/03	AL5513	Liquid Line	614
Magna TR, V6	4/93-3/94	HO8248	Discharge Hose	614
Verada KR, V6	7/91-3/94	HO8248	Discharge Hose	614
Nissan				
Pulsar N15, 2.0Lt	95-00	HO8303K	Suction Hose / Discharge Hose Set	615
Pulsar N15	95-00	AL5174	Pipe Set	615
Pulsar N13	86-91	HO6484	Suction Hose	615
Pulsar N13	86-91	HO6542	Discharge Hose	615
Toyota				
Camry SV21	86-93	HO0116	Discharge Hose	615

Make & Model	Year	Part No.	Description	Page No.
Corolla ZZE122R	12/01-4/07	AL8000	Evaporator Pipe Set	615
Corolla ZZE122R	12/01-4/07	AL8003	Discharge Pipe	615
Corolla ZZE122R Hatch	12/01-4/07	AL8005	Liquid Line	615
Corolla ZZE122R Sedan	12/01-4/07	AL8006	Liquid Line	616
Corolla ZZE122R Sedan	12/01-4/07	AL8007	Liquid Line	616
Corolla ZZE122R	12/01-4/07	HO8001	Discharge Hose	616
Corolla ZZE122R Sedan	12/01-4/07	HO8002	Suction Hose	616
Corolla ZZE122R Hatch	12/01-4/07	HO8003	Suction Hose	616
Corolla AE90, AE92, 1.4, 1.6, 1.8Lt	89-94	HO0129	Discharge Hose (R134a)	616
Corolla AE90, AE92, 1.4, 1.6, 1.8Lt	89-94	HO0128	Suction Hose (R134a)	616
Hilux TGN16R, 2.7Lt 4 cyl	3/05>	HO0149	Discharge Hose	616
Hilux KUN16R, KUN26R, 3.0Lt Turbo	3/05>	HO0158	Discharge Hose	616
Hilux GGN15R, GGN25R, 4.0Lt V6	3/05>	HO0157	Discharge Hose	616
Hilux	3/05>	AL8110	Liquid Line (w/out pressure switch)	617
Landcruiser 80 Series, FZJ80	11/92-2/98	AL2007	Liquid Line	617
Landcruiser 80 Series, FZJ80	11/92-2/98	HO0150	Suction Hose (R134a)	618
Landcruiser 80 Series, FZJ80	11/92-2/98	HO0151	Suction Hose (R134a)	618
Landcruiser 80 Series, HZJ80	5/90-2/98	HO0153	Suction Hose (R134a)	617
Landcruiser 80 Series, HZJ80 & HDJ80	5/90-2/98	HO0152	Discharge Hose (R134a)	617
Landcruiser 80 Series, HZJ80 & HDJ80	5/90-2/98	AL2011	Liquid Line	617
Landcruiser 80 Series, HDJ80	5/90-2/98	HO0154	Suction Hose (R134a)	617
Landcruiser 80 Series, FZJ80, HZJ80, HDJ80	5/90-2/98	AL2006	Liquid Line (with sight glass)	617
Landcruiser 80 Series, FZJ80, HZJ80, HDJ80	5/90-2/98	AL2008	Suction Pipe	617
Landcruiser 80 Series, FZJ80, HZJ80, HDJ80	5/90-2/98	AL2009	Suction Pipe	617
Landcruiser 80 Series, FZJ80, HZJ80, HDJ80	5/90-2/98	AL2010	Liquid Line	617
Landcruiser 70 Series, HJ75, HZJ75	85-90	AL0525	Liquid Line (Cooltemp system)	618
Landcruiser 70 Series, HJ75, HZJ75	85-90	AL0526	Suction Pipe (Cooltemp system)	618
Paseo EL54	12/95-12/99	AL6540	Liquid Line	618
Paseo EL54	12/95-12/99	HO9960	Discharge Hose	618
Paseo EL54	12/95-12/99	AL6050	Liquid Line	618
Paseo EL54	12/95-12/99	HO2560	Discharge Hose	618
Paseo EL54	12/95-12/99	HO8070	Discharge Hose	618
Prado GRJ120R	3/03-10/09	HO0159	Discharge Hose	619
Prado KDJ120R	11/06-10/09	HO2182	Discharge Hose	619
Prado KZJ120R	3/03-10/06	HO0160	Discharge Hose	619
Rav4 SXA10R, SXA11R	7/94-9/00	HO4090	Discharge Hose	619
Starlet EP91R	4/96-10/99	AL0940	Liquid Line	619
Starlet EP91R	4/96-10/99	AL8150	Liquid Line	619
Starlet EP91R	4/96-10/99	HO4800	Discharge Hose	619



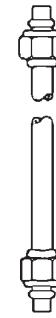
No. 6 Flare

Part No.	Length
AL3003	500mm
AL3004	750mm
AL3005	1000mm



No. 5 O'ring

Part No.	Length
AL1515	150mm
AL1530	200mm
AL1535	350mm
AL1540	400mm
AL1550	500mm
AL1560	600mm
AL1575	750mm
AL1500	1000mm



No. 6 O'ring

Part No.	Length
AL3017	150mm
AL3008	200mm
AL0350	350mm
AL3018	400mm
AL3009	500mm
AL3019	600mm
AL3012	750mm
AL3010	1000mm
AL3011	1200mm
AL3013	1475mm



Open

Part No.	Size	Length
AL5005	No 5	2000mm
AL5006	No 6	2000mm
AL5008	No 8	2000mm
AL5010	No 10	2000mm
AL5012	No 12	2000mm
AL3203	12mm O.D.	3000mm (2mm wall thickness)
AL3204	14.5mm O.D.	3000mm (2mm wall thickness)



Universal Pipe Fitting Nuts

Part No.	Measurements
Steel Female Flare Nut	
AL0002	5/8" - 18 UNF
AL0003	Ferrule 3/8"
AL0007	7/8" - 14 UNF
Steel Female Flare Nut Atco "AF" Series	
AL7002	No. 6
AL7005	No. 8
AL7007	No. 10
AL7009	No. 12
Steel Male Flare Nut	
AL0001	5/8" - 18 UNF
AL0004	3/4" - 16 UNF

Part No.	Measurements
Steel Female O'ring Nut	
AL0008	5/8" - 18 UNF
AL0009A	3/4" - 16 UNF
AL0010	7/8" - 14 UNF
AL0016	9/16" - 18 UNF
AL0014	1 1/16" - 14 UNF
Steel Male O'ring Nut	
AL0011	5/8" - 18 UNF
AL0012	3/4" - 16 UNF
AL0013	7/8" - 14 UNF
AL0015	9/16" - 18 UNF
AL0017	5/8" Thread 3/8" Pipe
AL0018	3/4" Thread 1/2" Pipe
AL0019	7/8" Thread 5/8" Pipe



4826 Refrigerant Hose Size Chart

Goodyear Galaxy 4826 Air conditioning hose incorporates a nylon barrier between two elastomeric tube layers to offer extremely low permeation of automotive refrigerants.

Galaxy 4826 is recommended for R134a and R12 refrigerants in automotive, heavy duty truck, construction and agricultural air conditioning systems.

The hose has two spiral layers of polyester reinforcement and is built to meet or exceed SAE J2024 Type C Class II.

Galaxy 4826 is designed to operate in the temperature range of -40°C to 125°C, (-40°F to 257°F)



Hose Size		Hose Size I.D.		Hose Size O.D.		Max. Working Pressure		Bend Radius	Min. Burst Pressure	
		Inch	mm	Inch	mm	PSI	Bar		PSI	MPA
5/16	No. 6	0.31	7.9	0.75	19.1	500	34	16	2000	138
13/32	No. 8	0.40	10.3	0.90	23.0	500	34	25	2000	138
1/2	No. 10	0.49	12.7	1.00	25.4	500	34	32	2000	138
5/8	No. 12	0.62	15.9	1.13	28.6	350	24	50	1750	121

4826 Refrigerant Hose

Description			Part No.				
Hose Size	Fitting Size	Hose I.D.	5m	10m	15m	Bulk Reel	Application
No.6	3/8"	5/16"	FH6321	FH6322	FH6323	FH6106 (251m)	Liquid
No.8	1/2"	13/32"	FH6326	FH6327	FH6328	FH6108 (221m)	Discharge
No.10	5/8"	1/2"	FH6331	FH6332	FH6333	FH6110 (213m)	Suction
No.12	3/4"	5/8"	FH6336	FH6337	FH6338	FH6112 (160m)	Suction



3800 Refrigerant Hose

Air-O-Crimp 3800 refrigerant hose incorporates an improved Poly-Amide lining between two Elastomeric layers, offering improved refrigerant permeation rates. Air-O-Crimp 3800 hose is compatible with R134a and R404 refrigerant. Designed to operate in the temperature range of -30°C to +125°C (-22°F to +275°F), this hose meets or exceeds all requirements of SAE J2064 refrigerant hose standards.

Hose Size	1m	5m	15m	25m	Bulk Reel
No.6	FHAC06	FHAC21	FHAC23	FHAC24	FHAC3806 (152m)
No.8	FHAC08	FHAC26	FHAC28	FHAC29	FHAC3808 (152m)
No.10	FHAC10	FHAC31		FHAC34	FHAC3810 (92m)
No.12	FHAC12	FHAC36	FHAC38	FHAC39	FHAC3812 (76m)



4860 Refrigerant Hose

Goodyear Galaxy 4860 Air Conditioning hose incorporates a nylon barrier between two elastomeric tube layers to offer extremely low permeation of automotive refrigerants. Galaxy 4860 is light weight, flexible and offers excellent resistance to moisture ingress.

This hose is constructed with a single braid of polyester reinforcement. Galaxy 4860 is designed to operate in the temperature range of -40°C to +135°C. (-40°F to +274°F) This hose meets or exceeds all requirements of the SAE J2064 refrigerant hose standard.

It is the hose of choice for most US auto manufacturers. Galaxy 4860 is compatible with both R12 & R134a.

Note: The 4860 style hose require special crimping dies.



Description							Part No.			
Hose Size	Nom. Size	Hose I.D. (mm)		Hose O.D. (mm)		Bend Radius°	5m	25m	Per Metre	Application
		min	max	min	max					
No.6	5/16"	7.85	8.61	14.22	15.24	38	FH8606	FH8614	FH4860-6	Liquid
No.8	13/32"	10.16	11.18	16.76	17.78	51	FH8608	FH8615	FH4860-8	Discharge
No.10	1/2"	12.45	13.46	18.92	19.94	63.5	FH8610	FH8616	FH4860-10	Suction
No.12	5/8"	15.62	16.64	23.11	24.13	90	FH8612	FH8617	FH4860-12	Suction

Ford

DIRECT REPLACEMENT HOSE & LINE

AL2037

FPV GT, GTS (Miami), 5.0Lt V8, 11/11>
Liquid Line / Suction Pipe Assembly

AR2Z19N651CB



HO0553

FPV GT, GTS (Miami), 5.0Lt V8, 11/11>
Suction Hose



HO0554

FPV GT, GTS (Miami), 5.0Lt V8, 11/11>
Discharge Hose



AL2036

Ford Falcon FG, 6 cyl, 11>
Liquid Line / Suction Pipe Assembly

AR2Z19N651BD



AL2041

Ford Falcon FG, 4 cyl Turbo, 3/12>
Liquid Line / Suction Pipe Assembly



HO0551

Ford Falcon FG, 4 cyl Turbo, 3/12>
Discharge Hose

BR2Z19C700AA



AL6400

Ford Falcon BA, 6 & 8 cyl, 9/02-9/05
Liquid Line



AL6401

Ford Falcon BA, 6 & 8 cyl, 9/02-9/05
Liquid Line



HO0144

Ford Falcon BA, 6 cyl, 9/02-9/05
Discharge Hose

3R2319C700AA



HO0145
 Ford Falcon BA, V8, 9/02-9/05
 Discharge Hose
 3R2319C700BA

HO0146
 Ford Falcon BA, 6 cyl, 9/02-9/05
 Suction Hose
 3R2319997AA

HO0155
 Ford Falcon AU, 6 cyl, 9/98-9/02
 Suction / Discharge Hose Assembly
 ER1908504

HO0133
 Ford Falcon EF, 6 cyl
 Suction / Discharge Hose Assembly
 EF19D850E

HO0201
 Ford Falcon EB, 6 cyl
 Liquid line
 ED19B881C

HO0110
 Ford Falcon EB, 6 cyl
 Suction Hose, R134a
 EE19N617A

HO6451
 Ford Falcon EA, 6 cyl MPI
 Discharge Hose
 EA19972A

HO0125
 Ford Falcon XF
 Discharge Hose
 XFL19972A

HO0119
 Ford Falcon XD, XE, V8
 Discharge Hose
 XD19972B

AL2015
 Ford Festiva WB
 Liquid Line, Cond - FDR
 Air International system

AL5390

Ford Laser KN, 4 Door, 3/99>
Liquid Line

MAC0855861



AL2038

Ford Territory SZ, Diesel, 5/11>
Liquid Line / Suction Pipe Assembly

AR2Z19N651CA



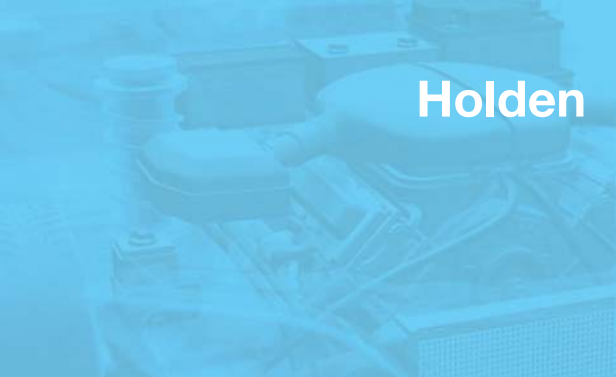
AL2043

Ford Territory SZ, 6 cyl, 5/11>
Liquid Line / Suction Pipe Assembly

BR7Z19N651AE



Picture unavailable at time of printing
refer www.cooldrive.com.au



HO0116

Holden Apollo JK, JL, 8/89-3/93
Discharge Hose



AL5545

Holden Commodore VE, 8/06>
Suction Pipe



HO2037

Holden Commodore VE, V6, 8/06-8/09
Suction / Discharge Hose Assembly



HO5546

Holden Commodore VE, V6, 8/06>
Liquid Line

92193510



HO2038

Holden Commodore VE, V8, 8/06>
Suction / Discharge Hose Assembly

92157799, 92198656, 92248989



AL6320

Holden Commodore VZ, V6
Liquid Line

92188888



HO4651
 Holden Commodore VZ, V8
 Suction / Discharge Hose Assembly
 92184651

HO4652
 Holden Commodore VZ, V6
 Suction / Discharge Hose Assembly
 92184649

HO8260
 Holden Commodore VY, V6
 Suction / Discharge Hose Assembly
 92084234

HO8262
 Holden Commodore VY, V8 5.7Lt GEN III
 Suction / Discharge Hose Assembly
 To Chassis # xx4L190227xx
 92084236

HO8263
 Holden Commodore VY, V8 5.7Lt GEN III
 Suction / Discharge Hose Assembly
 Chassis # xx4L190228xx to
 xx4L220843xx
 92169018

HO8264
 Holden Commodore VY, V8 5.7Lt GEN III
 Suction / Discharge Hose Assembly
 From Chassis # xx4L220844xx on
 92164180

HO8261
 Holden Commodore VT & VX, V8 5.7Lt GEN III
 Suction / Discharge Hose Assembly
 92116614

AL6318
 Holden Commodore VY, Monaro CV6, CV8
 Holden Statesman WK, 6 & 8 cyl
 Liquid Line, FDR - Evaporator
 92084238

AL6319
 Holden Commodore VT, VX, Monaro CV6, CV8
 Holden Statesman WH, 6 & 8 cyl
 Liquid Line, FDR - Evaporator
 92058722

HO8253A
 Holden Commodore VT, VX, V6, 9/97-9/02
 Suction / Discharge Hose Assembly
 Without Transducer
 92116613

HO8253

Holden Commodore VT, VX, V6, 9/97-9/02
Suction / Discharge Hose Assembly
With Transducer

92141602



HO8254

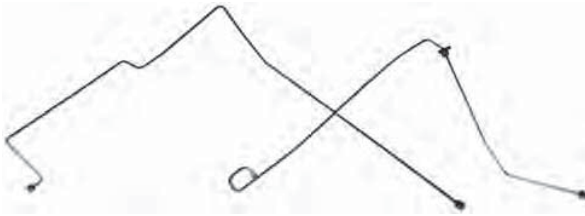
Holden Commodore VT, V8, 9/97-8/00
Suction / Discharge Hose Assembly

92141603



AL6315

Holden Commodore VR, VS, 6 & 8 cyl, 7/93-8/97
Liquid Line
(set of 2 replaces original 1 piece)



HO8251

Holden Commodore VR, VS, V6, 7/93-8/97
Discharge Hose

92042036



HO8256

Holden Commodore VR, VS, V8, 7/93-8/97
Discharge Hose

92052718



HO0437

Holden Commodore VN, VP, VG Ute, V6, 8/88-6/93
Holden Statesman VQ, V6, 11/91-2/94
Suction Hose



HO0868

Holden Commodore VN, VP, VG Ute, V6, 8/88-6/93
Holden Statesman VQ, V6, 11/91-2/94
Discharge Hose

92037511



HO4680

Holden Commodore VL, 6 cyl, 1/86-7/88
Suction Hose

92024026



HO4681

Holden Commodore VL, 6 cyl, 1/86-7/88
Discharge Hose



HO4563

Holden Commodore VK, 6 cyl
Suction Hose



HO4565
 Holden Commodore VK, 6 cyl
 Discharge Hose
 92023224

HO8036
 Holden Rodeo TF, Turbo Diesel
 Discharge Hose
 VS20883, VS18378



AL2004
 Hyundai Excel X3, 95-96
 Liquid Line, Cond - FDR
 97761-22000

HO0175
 Hyundai Excel X3, 94-95
 Discharge Hose
 2 Piece
 97760-22100

HO0175A
 Hyundai Excel X3
 Discharge Hose
 1 Piece

AL5088
 Hyundai Lantra
 Liquid Line, Cond - FDR

HO0142
 Hyundai Sonata
 Discharge Hose



AL0477
 Mazda 121, 00-04
 Liquid Line, Cond - FDR

AL0937

Mazda 121 Metro, DW2
Liquid Line

MAZAL0937



AL5390

Mazda 323 BJ, 1.6Lt, 9/98>
Liquid Line

MAC0855861



HO0477

Mazda BT50
Discharge Hose

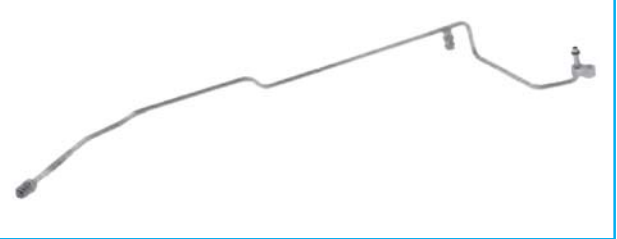
MAC0106687



AL1032

Mazda MX-5, Turbo, 3/04-8/05
Liquid Line, Cond - FDR

MAZAL1032



AL0860

Mazda MX-5, with ABS
Liquid Line



HO0485

Mazda T Series, WH
Discharge Hose



Mercedes/Mitsubishi

AL2030

Mercedes M Class
Liquid Line, Cond - FDR

Suits CN6510



AL5513

Mitsubishi Magna TE, TF, TH, TJ, 4/96-7/03
Liquid Line, Cond - FDR



HO8248

Mitsubishi Magna TR, V6, 4/93-3/94
Mitsubishi Verada KR, V6, 7/91-3/94
Discharge Hose





Nissan

HO6542

Nissan Pulsar N13
Discharge Hose

92490J7511



HO6484

Nissan Pulsar N13
Suction Hose

92490J7510



HO8303K

Nissan Pulsar N15, 2.0Lt
Suction Hose / Discharge Hose
Suits Zexel compressor only



AL5174

Nissan Pulsar N15
Pipe Set

To suit CN5174



Toyota

HO0116

Toyota Camry SV21
Discharge Hose



AL8000

Toyota Corolla ZZE122R, 12/01-4/07
Evaporator Pipe Set



AL8003

Toyota Corolla ZZE122R, 12/01-4/07
Discharge Pipe



AL8005

Toyota Corolla ZZE122R Hatch, 12/01-4/07
Liquid Line



AL8006

Toyota Corolla ZZE122R Sedan, 12/01-4/07
Liquid Line



AL8007

Toyota Corolla ZZE122R Sedan, 12/01-4/07
Liquid Line



HO8001

Toyota Corolla ZZE122R, 12/01-4/07
Discharge Hose



HO8002

Toyota Corolla ZZE122R Sedan, 12/01-4/07
Suction Hose



HO8003

Toyota Corolla ZZE122R Hatch, 12/01-4/07
Suction Hose



HO0129

Toyota Corolla AE90, AE92, 1.4, 1.6, 1.8Lt
Discharge Hose, R134a



HO0128

Toyota Corolla AE90, AE92, 1.4, 1.6, 1.8Lt
Suction Hose, R134a



HO0149

Toyota Hilux TGN16R, 2.7Lt 4 cyl, 3/05>
Discharge Hose



HO0158

Toyota Hilux KUN16R, KUN26R, 3.0Lt Turbo, 3/05>
Discharge Hose




HO0157


Toyota Hilux GGN15R, GGN25R, 4.0Lt V6, 3/05>
Discharge Hose




AL8110
 Toyota Hilux, 3/05>
 Liquid Pipe
 No Pressure Switch



HO0153
 Toyota Landcruiser HZJ80, 5/90-2/98
 Suction Hose, R134a



HO0152
 Toyota Landcruiser HZJ80 & HDJ80, 5/90-2/98
 Discharge Hose, R134a




AL2011
 Toyota Landcruiser HZJ80 & HDJ80, 5/90-2/98
 Liquid Line




HO0154
 Toyota Landcruiser HDJ80, 5/90-2/98
 Suction Hose, R134a




AL2006
 Toyota Landcruiser FZJ80, HZJ80, HDJ80, 5/90-2/98
 Liquid Line
 With sight glass



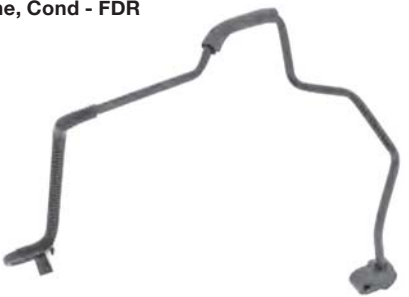
AL2008
 Toyota Landcruiser FZJ80, HZJ80, HDJ80, 5/90-2/98
 Suction Pipe




AL2009
 Toyota Landcruiser FZJ80, HZJ80, HDJ80, 5/90-2/98
 Suction Pipe



AL2010
 Toyota Landcruiser FZJ80, HZJ80, HDJ80, 5/90-2/98
 Liquid Line, Cond - FDR



AL2007
 Toyota Landcruiser FZJ80, 11/92-2/98
 Liquid Line



HO0150

Toyota Landcruiser FZJ80, 11/92-2/98
Discharge Hose, R134a



HO0151

Toyota Landcruiser FZJ80, 11/92-2/98
Suction Hose, R134a



AL0525

Toyota Landcruiser HJ75, HZJ75
Liquid Line, FDR - Evaporator
Cooltemp system



AL0526

Toyota Landcruiser HJ75, HZJ75
Suction Pipe
Cooltemp system



AL6540

Toyota Paseo EL54, 12/95-12/99
Liquid Line



HO9960

Toyota Paseo EL54, 12/95-12/99
Discharge Hose



AL6050

Toyota Paseo EL54, 12/95-12/99
Liquid Line



HO2560

Toyota Paseo EL54, 12/95-12/99
Discharge Hose



HO8070

Toyota Paseo EL54, 12/95-12/99
Discharge Hose



HO0160

Toyota Prado KZJ120R, 3/03-10/06
Discharge Hose



HO2182
Toyota Prado KDJ120R, 11/06-10/09
Discharge Hose



HO0159
Toyota Prado GRJ120R, 3/03-10/09
Discharge Hose



HO4090
Toyota Rav4 SXA10R, SXA11R, 7/94-9/00
Discharge Hose



AL0940
Toyota Starlet EP91R, 4/96-10/99
Liquid Line, FDR - Evaporator



AL8150
Toyota Starlet EP91R, 4/96-10/99
Liquid Line, Cond - FDR



HO4800
Toyota Starlet EP91R, 4/96-10/99
Discharge Hose

